

# DHI-VTH2622G-W/DHI-VTH2622GW-W

## 2-Wire IP & Wi-Fi Indoor Monitor



- 7" TFT capacitive touch screen, 1024 × 600
- 6-channel alarm input and 1-channel alarm output
- **Wi-Fi**
  - Door station and IPC monitor
  - H.265 and H.264 video decoding
  - 2-wire digital communication
  - High performance & cost-effective



### Technical Specification

#### System

Main Processor	Embedded processor
Operating System	Embedded Linux operating system
Interoperability	ONVIF; SDK
Network Protocol	RTSP; RTP; SIP; DNS; SSH
ROM	128 MB
RAM	128 MB
CPU	Dual core 1.2 GHz

#### Basic

Screen Type	Capacitive touchscreen
Display	7" TFT
Screen Resolution	1024 × 600
Audio Compression	G.711a; G.711u; PCM
Audio Input	1
Audio Output	Built-in speaker
Audio Mode	2-way Audio
Audio Enhancement	Echo suppression
Audio Bit Rate	16 kHz; 16 bit

#### Function

Communication Mode	Digital 2-wire
Information Release	Receive and view text information released by the management center
Leave Videos	Yes (SD card inserted in VTO is needed)
DND Mode	Do not disturb period can be set; Do not disturb mode

Number of Extensions	Villa: 3 Apartment: 2 Wi-Fi intercom: 1 main monitor, 2 extension monitors
Wi-Fi	Yes
Wireless Standard	IEEE802.11b/802.11g/802.11n
Wireless Frequency Range	2.4 GHz
Wireless Security Encryption	WPA/WPA2;WPA-PSK/WPA2-PSK

#### Performance

Casing	PC + ABS
--------	----------

#### Port

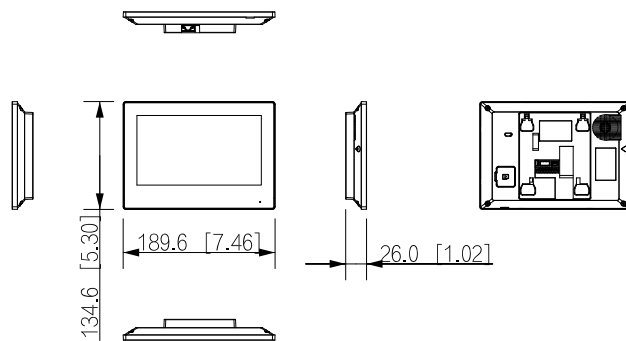
Alarm Input	6
Alarm Output	1
Door Bell	Yes (use any alarm input port)
Network	One two-wire port and one 10Mbps/100Mbps Ethernet port (one of them can be selected)
Storage	Micro SD Card, Max 64 GB (reserved for software)

#### General

Appearance Color	Black/White
Power Supply	48 VDC 1.25 A
Installation	Surface Mount
Certifications	CE; FCC
Dimensions	189.6 mm × 134.6 mm × 26.0 mm (7.50" × 5.30" × 1.00")
Operating Temperature	-10 °C to +55 °C (+14 °F to +131 °F)
Operating Humidity	10%–95% RH (non-condensing)
Operating Altitude	Beneath 3000 m (9842.52 ft)
Power Consumption	Standby ≤ 2 W; working ≤ 6 W

Net Weight	0.34 kg (0.74 lb)
Gross Weight	0.58 kg (1.27 lb)

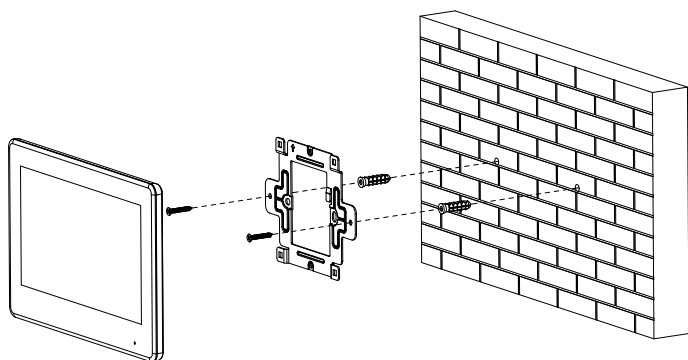
**Dimensions (mm[inch])**



**Ordering Information**

Type	Model	Description
2-wire&Wi-Fi Indoor Monitor	DHI-VTH2622G-W/ DHI-VTH2622GW-W	2-Wire IP & Wi-Fi Indoor Monitor

**Installation**



**Application**

