

VTM04R4

VTM04R4 Rain Cover



- Surface-mounted rain cover for multiple 2-module VTO4202F

Technical Specification

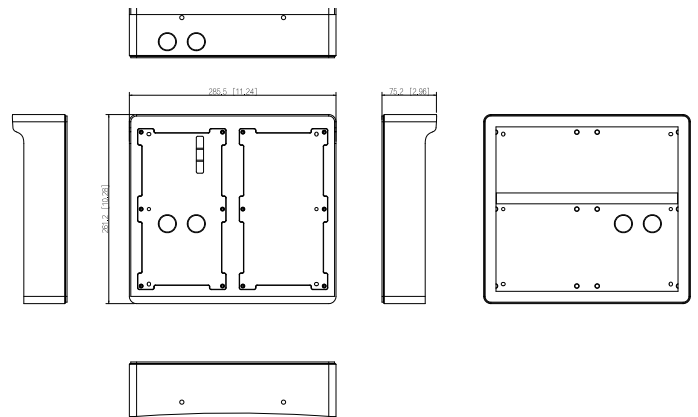
Performance

Casing	Steel
--------	-------

General

Color	Silver
Installation	Surface mount
Dimensions	261.2 mm × 285.5 mm × 75.2 mm (10.28" × 11.24" × 2.96")
Protection Grade	IP65 (silicone sealant is needed)
Net Weight	2.6 kg
Gross Weight	3.1 kg

Dimensions (mm[inch])



Ordering Information

Type	Model	Description
VTO Rain Cover	VTM04R4	Surface-mounted Rain Cover for Multiple 2-module VTO4202F

Installation

