

SensoIRIS MIO04 4 Outputs Module

EN54-18
EN54-17:2005

Description

SensoIRIS MIO04 is an addressable module with 4 relay outputs. The module is designed for application in addressable fire alarm systems, supporting TTE communication protocol.

The module controls 4 relay outputs and has built-in isolator module.

SensoIRIS MIO04 is powered on from the fire panel and can be controlled via the communication protocol.

The module is mounted in a separate small plastic box suitable for wall mounting, with transparent cover for visual inspection.



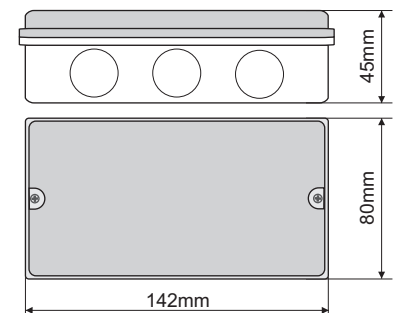
CE 15
1293

DoP No: 041

1293-CPR-0475

Technical and Environmental Specifications

Operating Voltage Range	15 - 32VDC
Consumption, stand-by mode	175µA@27VDC
Nom. current consumption	200µA@27VDC
Outputs, electrical characteristics (max.)	DC 30V/1A; AC 125V/0.5A
Current consumption with 1 LED on.	4mA
Wire Gauge for terminals	0.4mm ² - 2.0mm ²
Operating temperature	-10°C to +60°C
Relative humidity resistance	(93 ± 3)% @ 40°C
Protection.	IP40
Weight	~230g
Material (plastic), color.	ABS, Gray
Dimensions.	142x80x45mm



Packing Information

- **Single packing** - 1 unit SensoIRIS MIO04, dimensions 145x84x50mm.
- **Carton packing box** - 48 units SensoIRIS MIO04, dimensions 510x320x200mm.

Compatible Product Range

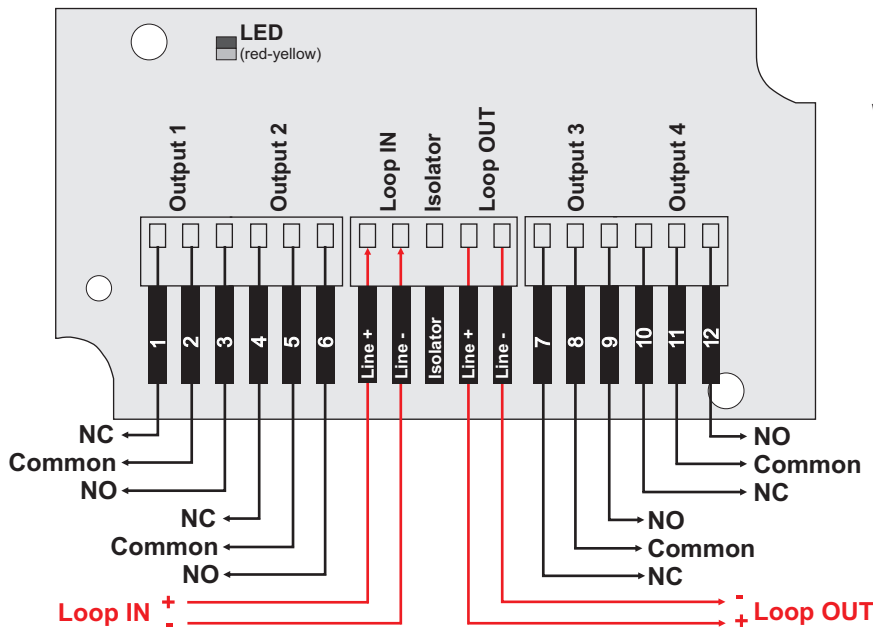
- **IRIS** - Addressable Fire Panel, up to 4 loops
- **SIMPO** - Addressable Fire Panel, up to 2 loops
- **SensoIRIS Programmer** - Address Programming Tool

Contact Information

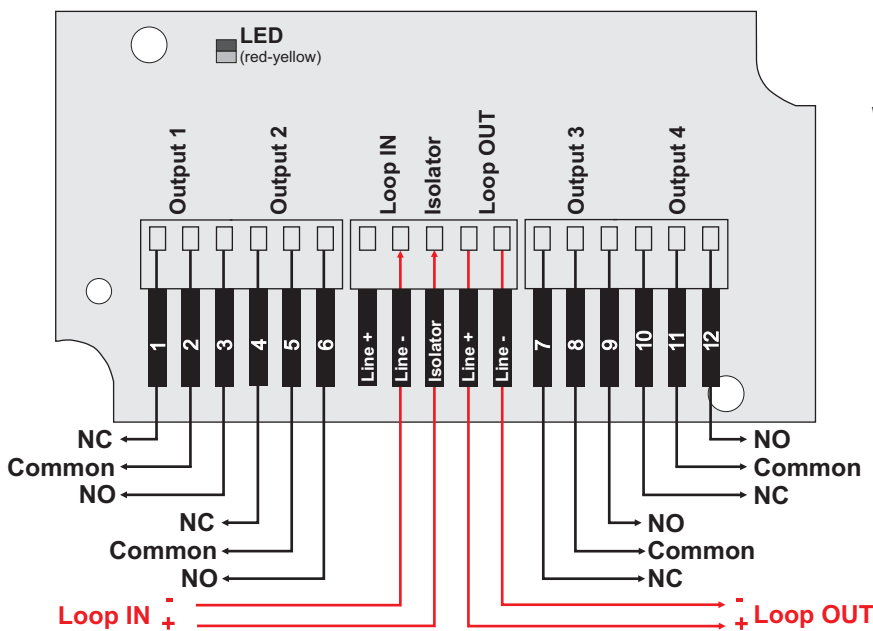
SensoIRIS MIO04 4 Outputs Module

EN54-18
EN54-17:2005

● Connection Diagrams



Without using the built-in isolator module.



With using the built-in isolator module.

● Contact Information