

# FRL-1

## Fire Remote Indicator

### Description

The Fire Remote LED indicator FRL-1 application is duplicating the light signaling of the activated automatic fire detector. The device repeats the status of 1 or maximum 3 several automatic fire detectors.

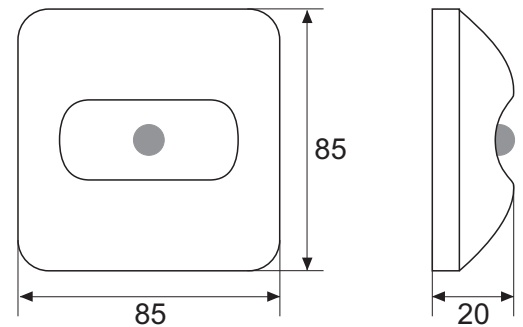
The Fire Remote LED indicator FRL-1 supports operation both with conventional detectors SensoMAG series and addressable detectors SensoIRIS series - see the examples for connection diagrams on next page.

FRL-1 complies with EN54-23.



### Technical and Environmental Specifications

Current consumption in activated state . . .	30mA
Wire Gauge for terminals . . . . .	2.5mm <sup>2</sup>
Operating temperature . . . . .	-10°C to +60°C
Relative humidity resistance . . . . .	(93 ± 3)% @ 40°C
Weight . . . . .	~42g
Dimensions . . . . .	85x85x20mm
Material (plastic), color . . . . .	ABS, white



### Packing Information

- **Packing box** - 1 unit FRL-1, dimensions 100 x 100 x 20 mm.
- **Carton box** - 75 units FRL-1, dimensions 400 x 300 x 250 mm.

### Compatible Product Range

- **SensoMAG Series** - Conventional detectors
- **SensoIRIS Series** - Addressable detectors

### Contact Information:



# FRL-1

## Fire Remote Indicator

### ● Connection Diagrams

The Fire Remote LED Indicator FRL-1 is equipped with a red LED for indicating of fire alarm situation in the premises. Connect the fire detector cable to the FRL-1 input, as observe the polarity shown on the PCB.

Figure 1 - connecting of FRL-1 to 1 conventional detector (SensoMAG)

Figure 2 - connecting of FRL-1 to 2 conventional detectors (max. 3 SensoMAG)

Figure 3 - connecting of FRL-1 to 1 addressable detector (SensoIRIS)

Figure 4 - connecting of FRL-1 to 2 addressable detectors (max. 3 SensoIRIS)

Figure 1

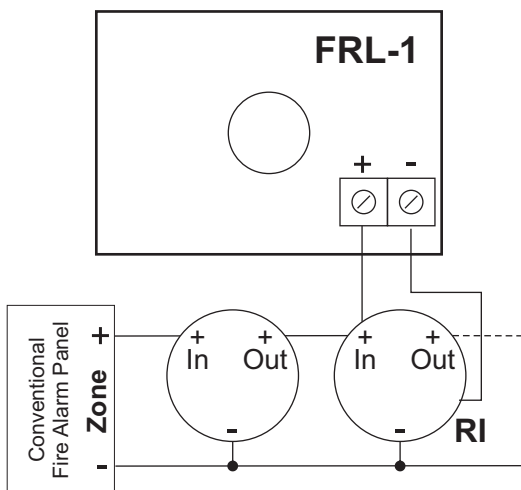


Figure 2

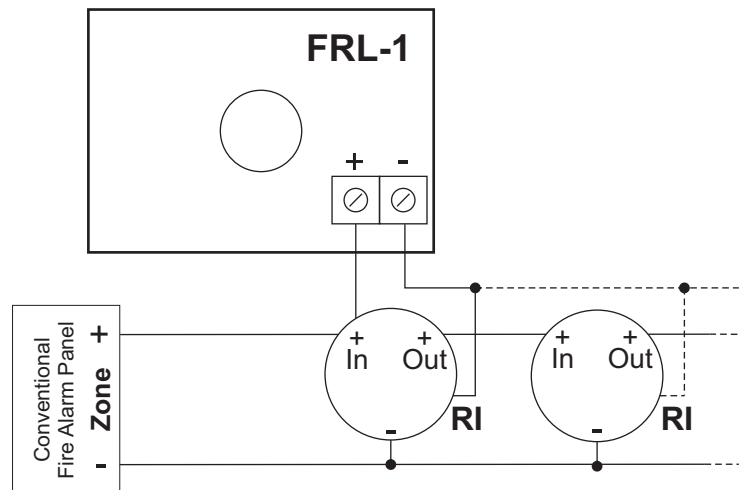


Figure 3

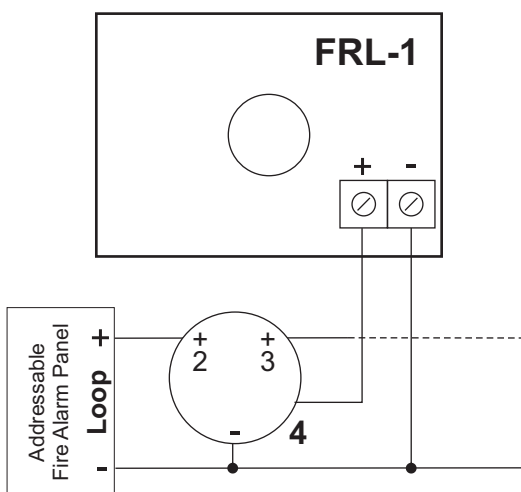
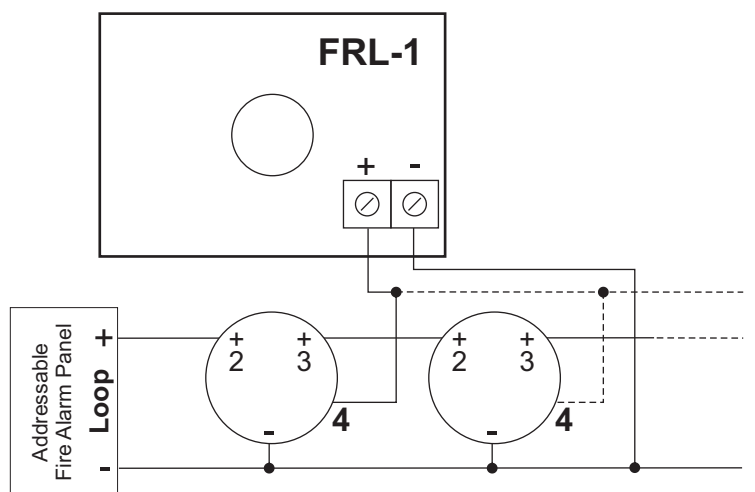


Figure 4



### ● Contact Information: